

# TOWER UNIT SHELVES ONLY

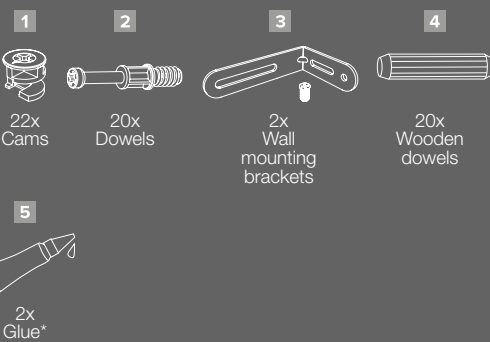
(450 & 600MM WIDE)

## Assembly Instructions

### CONTENTS:


- 1x Top panel
- 1x Side panel (left)
- 1x Side panel (right)
- 5x Shelves
- 1x Plinth panel


### TOWER FIXINGS

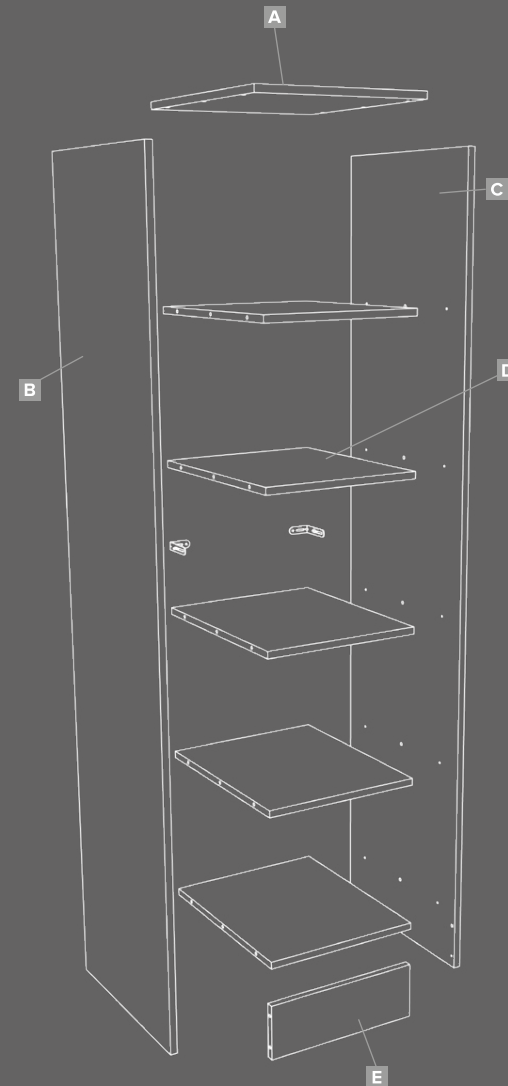


\*A drop of glue needs to be added into all holes the wooden dowels are placed into (item 4).

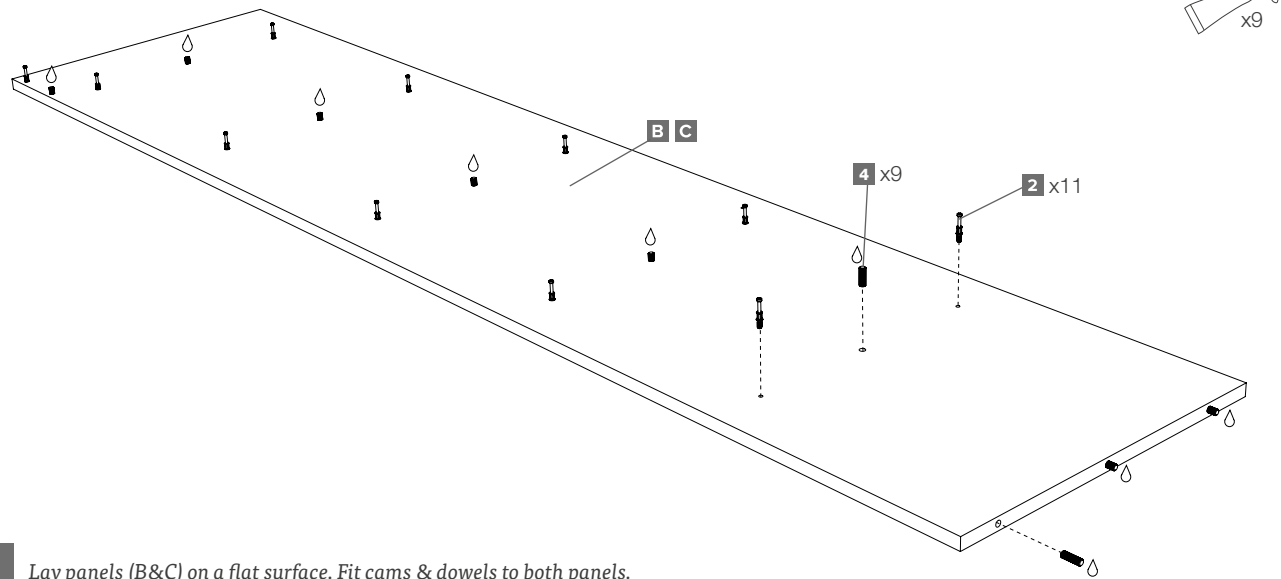
### RECOMMENDED:

- Tools: Pozidrive screwdriver
- Two person build 

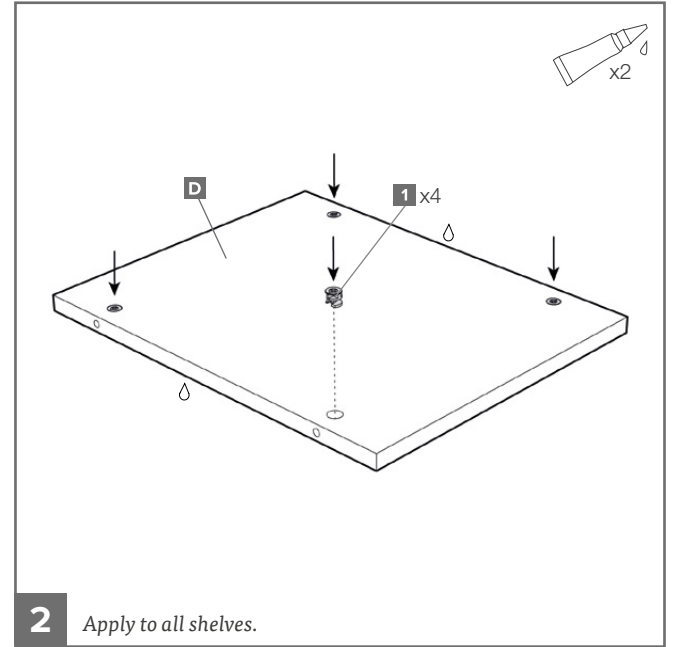
 **We recommend you use the Wall Mounting Brackets provided to fix the Tower Unit to a wall (where possible). This will prevent the unit being pulled over. Use suitable wall fixings.**



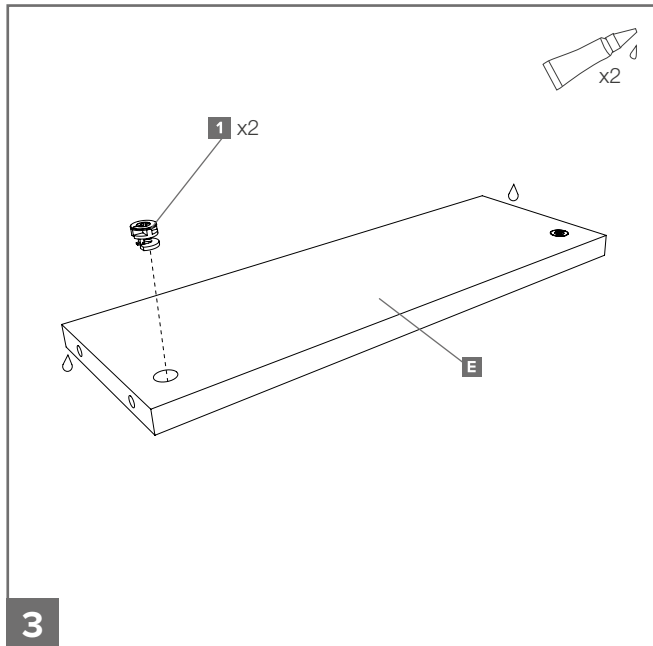
Note: B panel shown



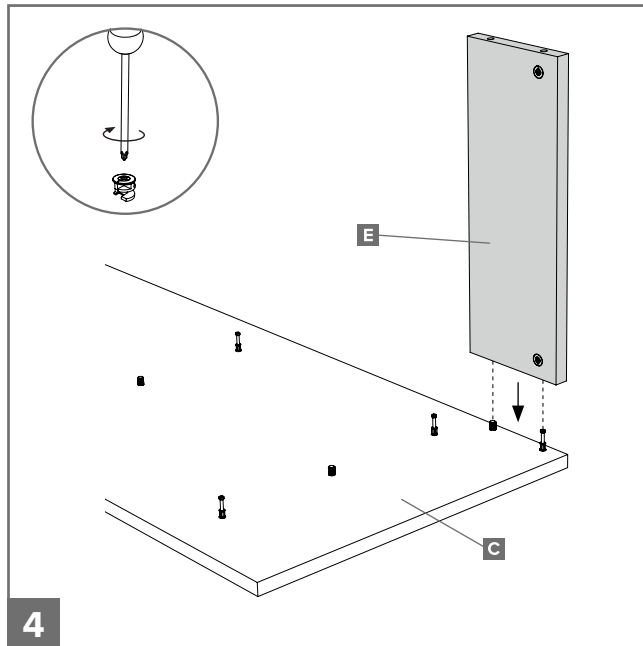
**1** Lay panels (B&C) on a flat surface. Fit cams & dowels to both panels.



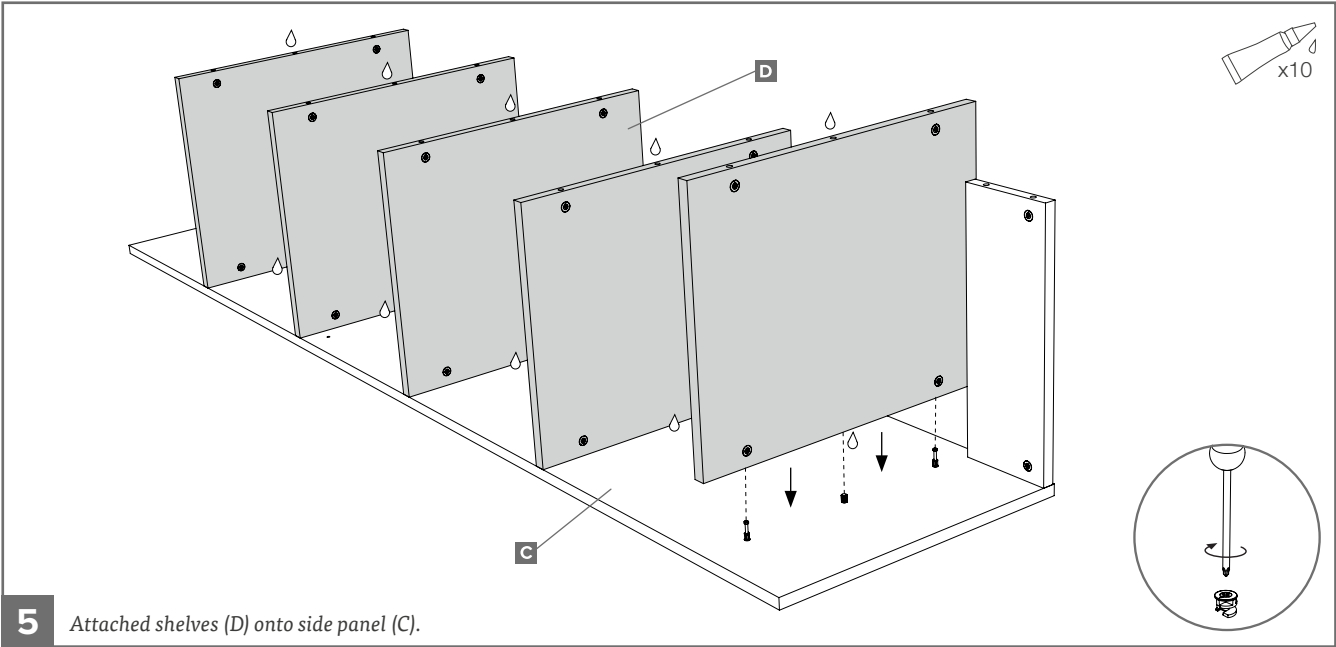
**2** Apply to all shelves.



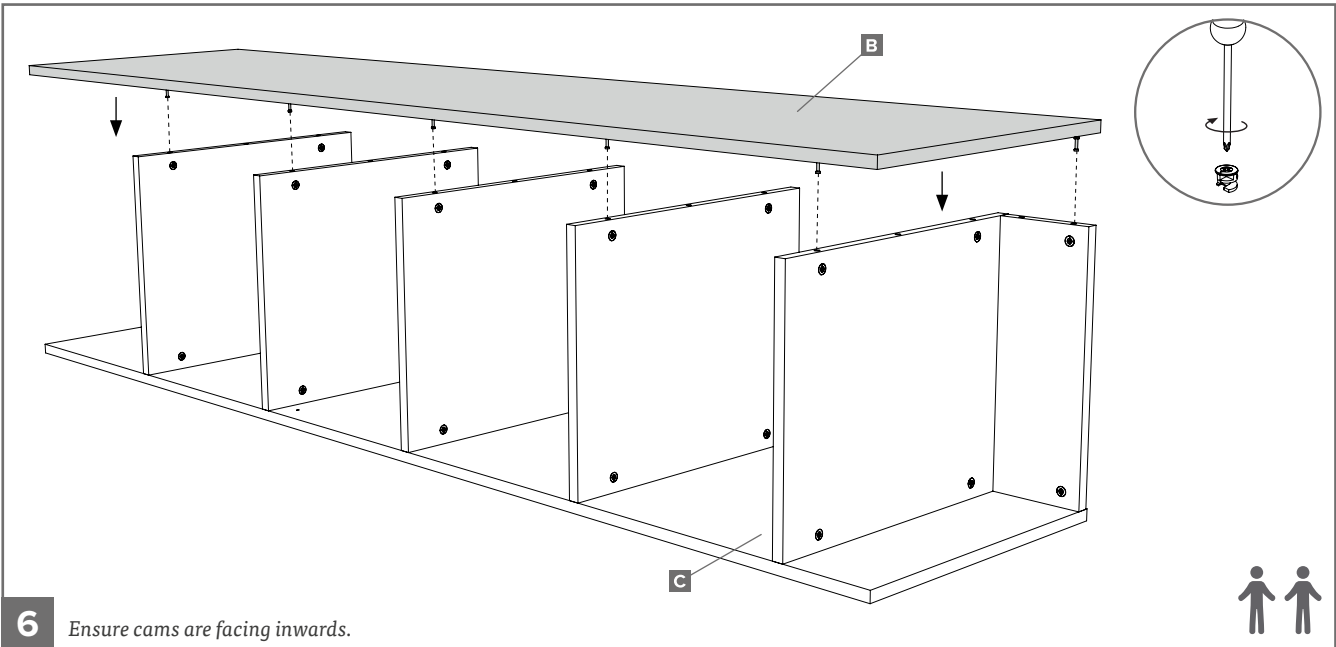
**3**



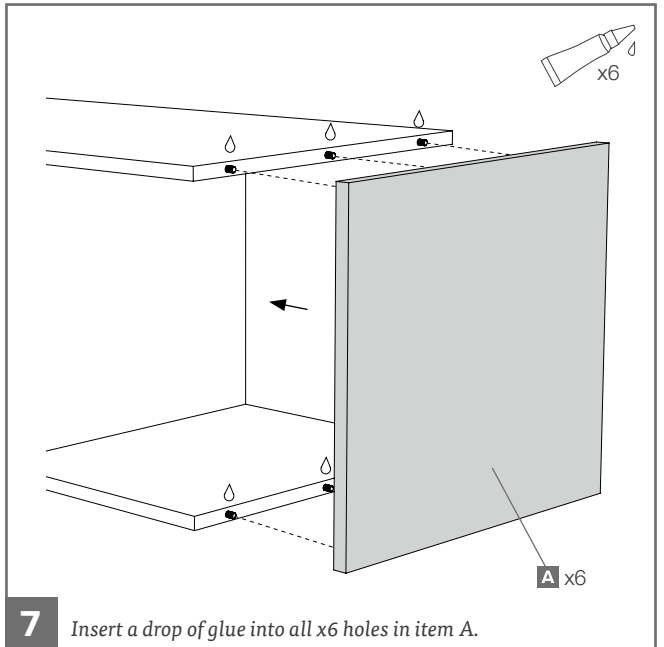
**4**



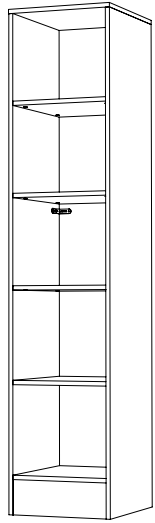
**5** Attached shelves (D) onto side panel (C).



**6** Ensure cams are facing inwards.



**7** Insert a drop of glue into all x6 holes in item A.



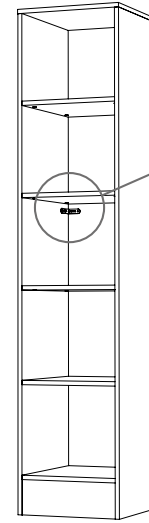
**8** Use two people to stand up straight.



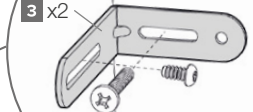
## WALL MOUNTING BRACKETS



*We recommend you use the Wall Mounting Brackets provided to fix the Tower Unit to a wall (where possible). This will prevent the unit being pulled over. Use suitable fixings.*



Use suitable wall fixings

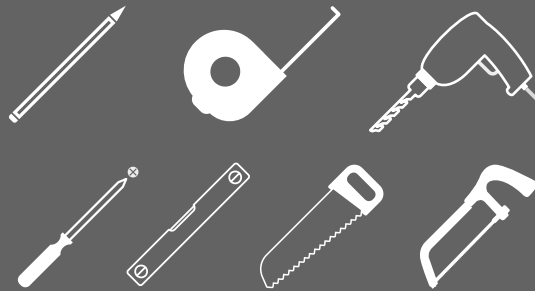


**9** Fix the wall mounting bracket to both sides of the Tower Unit. (Use suitable fixings when attaching to the wall).

# HOW TO FIT TOWER UNIT

## Assembly Instructions

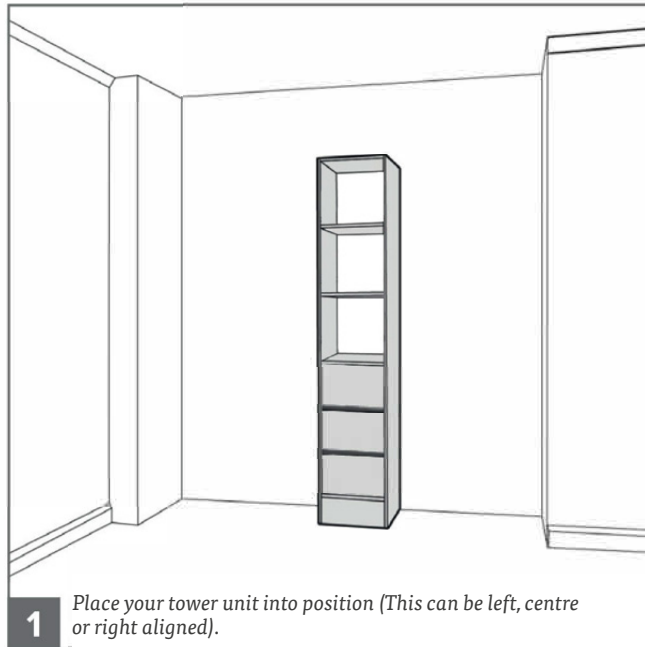
### TOOLS REQUIRED:



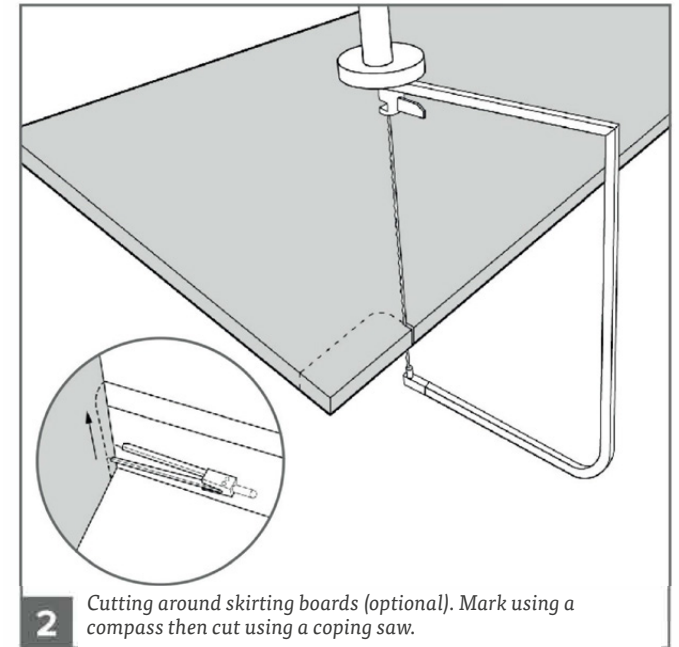
**!** Please check your opening for any hidden electrical wires and water pipes before / screwing.

**⊘** Screws not supplied. Use suitable screws and plugs.

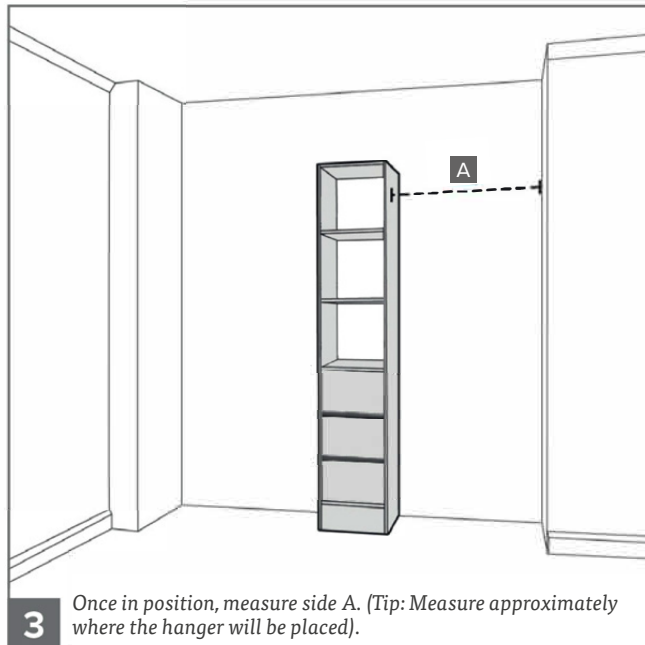
V1



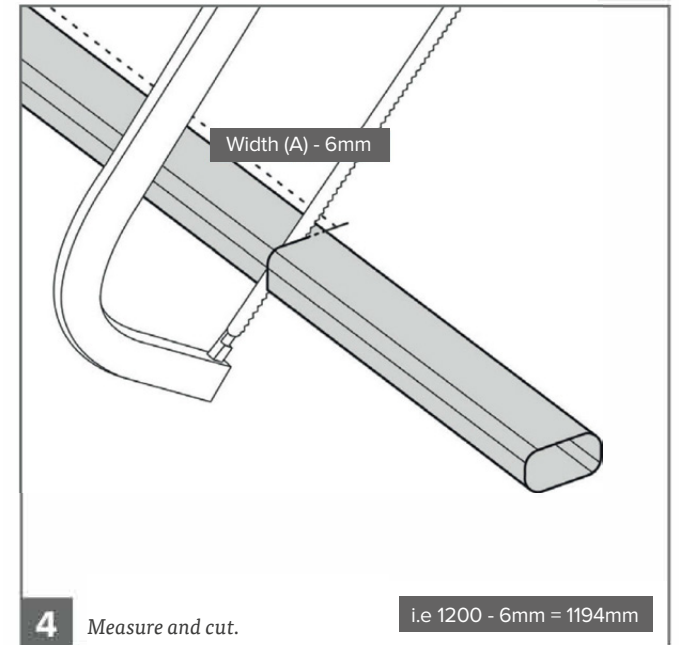
**1** Place your tower unit into position (This can be left, centre or right aligned).



**2** Cutting around skirting boards (optional). Mark using a compass then cut using a coping saw.

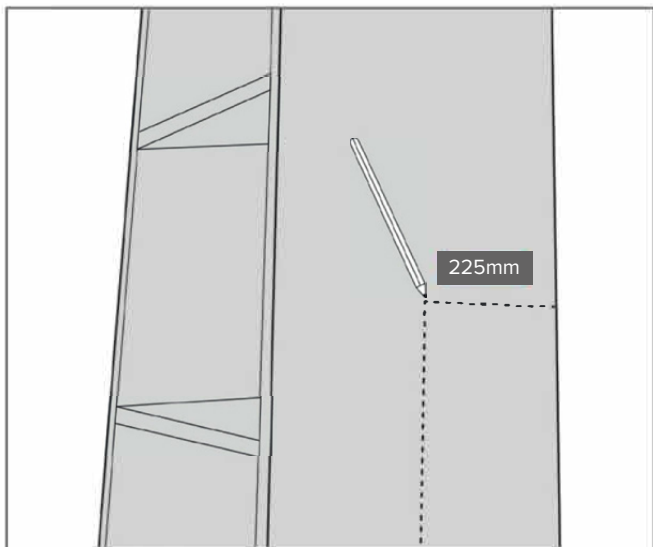


**3** Once in position, measure side A. (Tip: Measure approximately where the hanger will be placed).

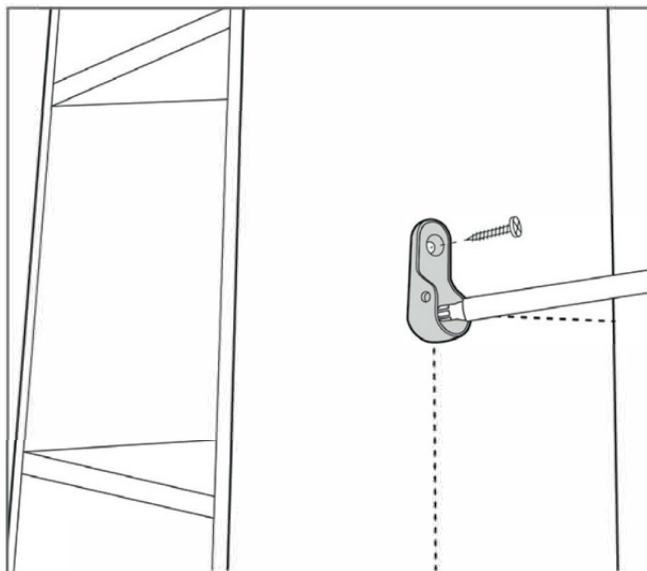


**4** Measure and cut.

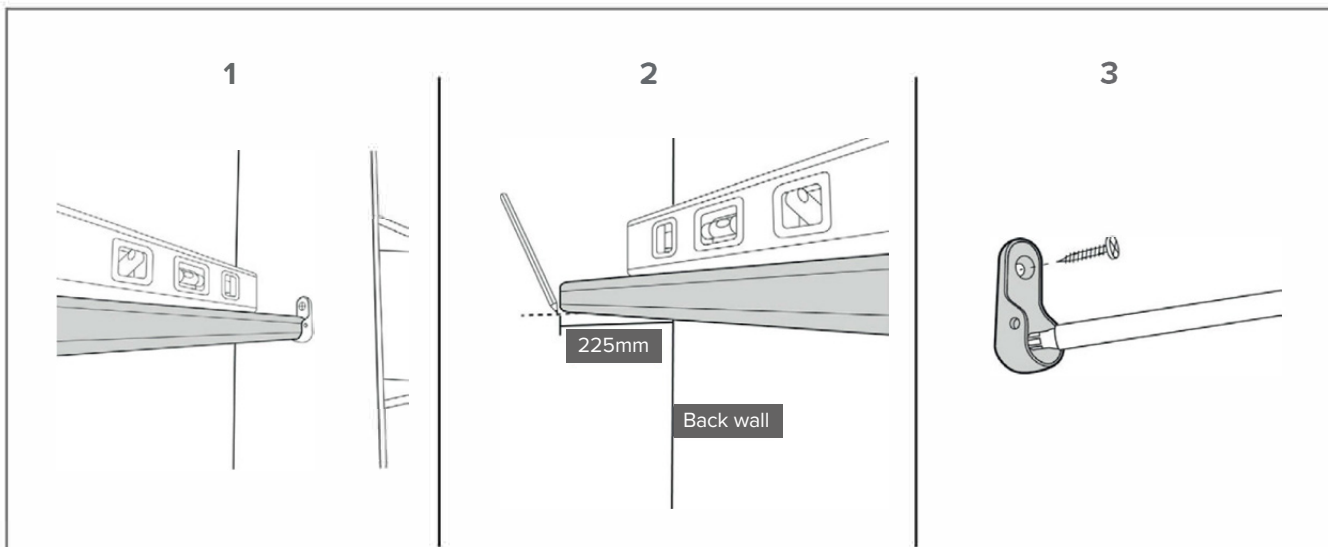
i.e 1200 - 6mm = 1194mm



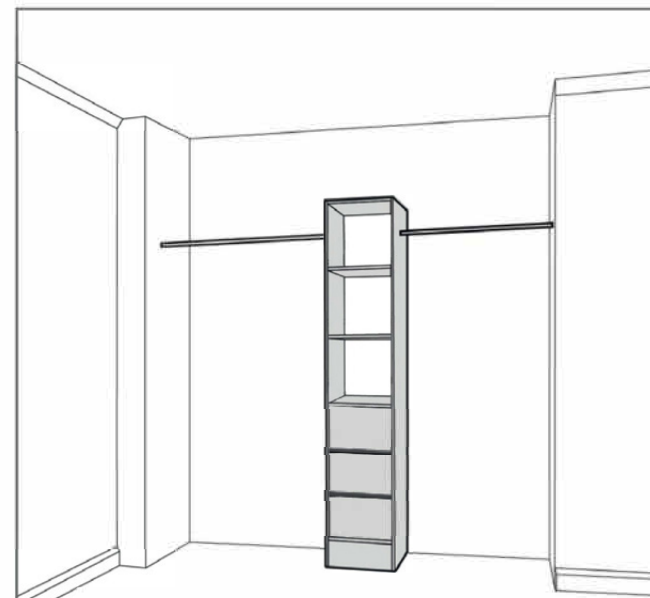
**5** Mark the position of the hanger bar. By measuring in 225mm to the centre of the tower unit.



**6** Fix first bracket through both holes. (We recommend 16mm screws).



**7** Fitting the second hanger bar. 1- Place hanger bar into first bracket and level up. 2- Make sure to mark position on the side wall 225mm from the back wall. 3- Then fix into position.



**8** Repeat 3-7 for remaining hanger bars.

# A GUIDE TO FIXINGS



**Wall & Ceiling Fixings:** You must first identify the type of wall or ceiling you intend to fix product onto and then contact your local hardware store if the fixings supplied are not suited to your wall or ceiling type. Care and Maintenance: Safety: Always check the fitting and location to ensure your safety in and around the home. Fitting: From time to time check the fitting to ensure the wall plugs or screws do not become loose.

**IMPORTANT NOTE:** When drilling into walls always check that there are no hidden wires or pipes etc. Make sure that the screws and plugs being used are suitable for supporting your unit. Always consult a qualified trades person if you are unsure.

**Tips: 1.** Ensure you use the recommended drill bit to match the wall plug and hole size.

**Tips: 2.** Ensure you drill the hole straight, do not force the drill or enlarge the hole.

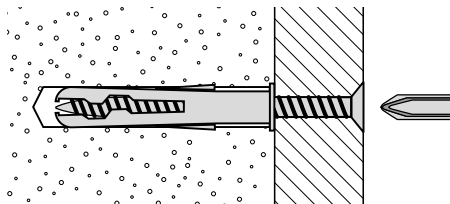
**Tips: 3.** Take extra care when drilling high walls, ceilings and ceramic tiles. Ensure wall plugs are inserted beyond the thickness of the ceramic tiles to avoid the tiles splitting or cracking.

**Tips: 4.** Ensure wall plugs are well fitted and are a tight fit in the drilled hole.

## Types Of Structures:

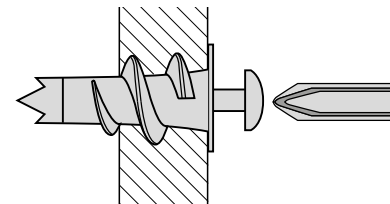
You can use one of the following types of wall plug if your walls are made of brick, breeze block, concrete, stone or wood.

### 1: General Purpose / Concrete or Block Work wall plug. NOT supplied.



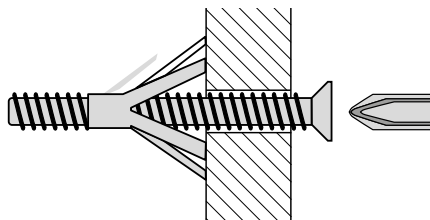
Generally aerated blocks should not be used to support heavy loads, use a specialist fitting in this case. For light loads, general purpose wall plugs can be used.

### 2: Plasterboard wall plug. NOT supplied.



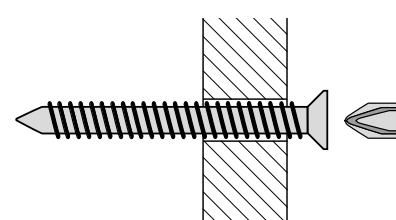
For use when attaching light loads on to plasterboard partitions.

### 3: Cavity Fixing wall plug. NOT supplied.



For use with plasterboard partitions or hollow wooden doors.

### 4: Wooden Structure. Screws provided.



If you know you are fixing directly into a wooden batten, the screws provided do not require a plug.